



# ISA

DENTAL OPERATING LIGHT





## SMOOTH LINES AND SIMPLE AS WELL AS FUNCTIONAL TECHNICAL SOLUTIONS

Dental light ISA has been designed to be ergonomic and modern at the same time.

The results of the applied technology are:

- an operating light very easy to handle, stable and unique for its armonious lines and pleasant colours
- a perfect light pattern and cold white light (up to 30.000 lux)
- new resin reflector, easy to clean and resistant to brakes
- new quick disconnects autoclavable plastic handles
- a colour rendering index > 90

Dental light ISA is the expression of a product MADE IN ITALY.



# ISA

DENTAL OPERATING LIGHT

## LIGHT INTENSITY

15.000 to 30.000 lux and 5.000 K

The possibility to adjust light intensity allows :

- Eyestrain reduction

An incorrect illumination level forces eye to work hard and determines, consequently, a faster eyestrain.

The possibility of light intensity adjustment makes the light adaptable to the level required by the specific application, reducing eyestrain.

- Mental concentration increase

The melatonin secretion is reduced by the increase of light intensity.

Reducing melatonin, alertness enhances and so the operator concentration, with a decrease in errors' possibility.

## ERGONOMICS AND ITALIAN DESIGN

The dental lamp ISA is realized with an advanced design, characterized by simple and soft lines. Design has been particularly studied in order to realize a dental lamp not only with high performances but also aesthetically considered: a perfect union of functionality and aesthetics.

Soft lines and smooth surfaces, the possibility of an easy handles' extraction and sterilization allow to an optimal cleaning and hygiene.

## ILLUMINANCE: 15.000-30.000 lux

High illuminance values of ISA allows to improve visual acuity and so the details perception, reducing fatigue and the probability of errors.

It is possible to adjust illuminance as a function of the specific application and to improve the tissues visualization after a visual adaptation due to long time exposure at the same light.

## COLOUR RENDERING INDEX (CRI): > 90

The Colour Rendering Index (CRI) is a quantitative measure of the ability of a light source to reproduce the colors of various objects faithfully in comparison with an ideal or natural light source. High CRI value of ISA assures a faithful colour reproduction.

## APPLICATIONS

Dental light ISA has various applications:

**UNIT MOUNT:** the application of a unit mounted light is depending on the technical specifications given by the unit manufacturer in cooperation with the customer

**CEILING or FLOOR MOUNT:** our ceiling mount is a strong and stable construction and very simple to mount, with possibility of adjustment depending on the ceiling inclination

**WALL MOUNT:** the wall mount has a nice design and not bulky

ISA is characterized by shells entirely in aluminium, which assure an high robustness. Aluminium shells can be treated with powder painting which assures a colour maintenance on time (in comparison with a lamp produced with plastic materials), an high hardness and durability in terms of detachment and scratching (in comparison with liquid painting).

The powder painting, with no solvents and paint thinners (which are primary sources of environmental pollution), allows to obtain an elevate attention to the respect of environment.



## FREE MOVEMENT

The studied geometry of dental light ISA allows to rotate it in any direction with the most various inclinations, thanks to an added 3rd axis movement.



### MIRROR

The need of a visual communication between operator and patient has lead to the creation of a pull-out MIRROR for POLARIS, allowing the patient to follow the treatment.

### FILTER

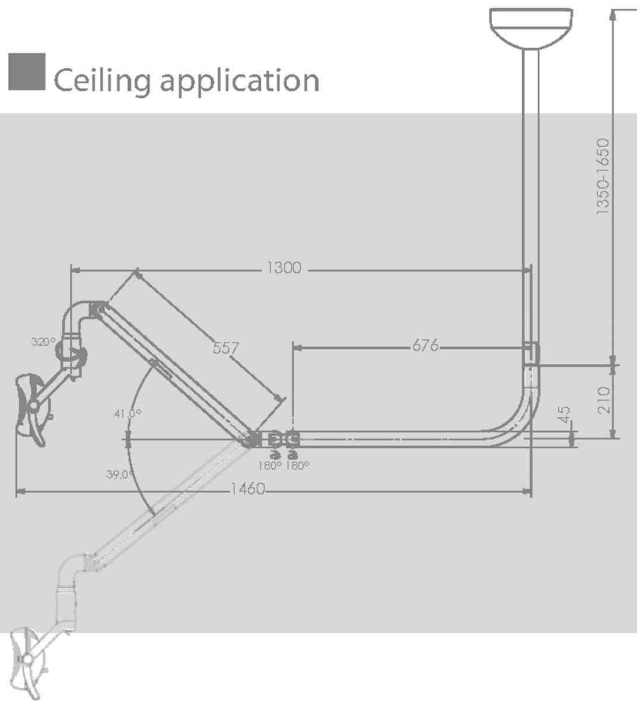
The ANTI-POLYMERIZATION FILTER is another example of kind attention towards the patient. This filter is easily interchanpeable with the MIRROR through a simple dap joint device.

The purpose of this accessory is to reduce spectrum of light emission avoiding activation of the composite, even with the maximum light intensity.



TECHNIC

■ Ceiling application



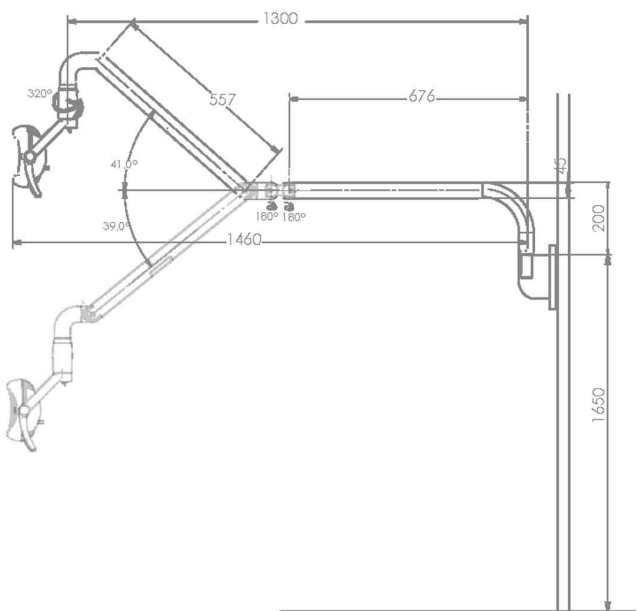
TECHNICAL FEATURES



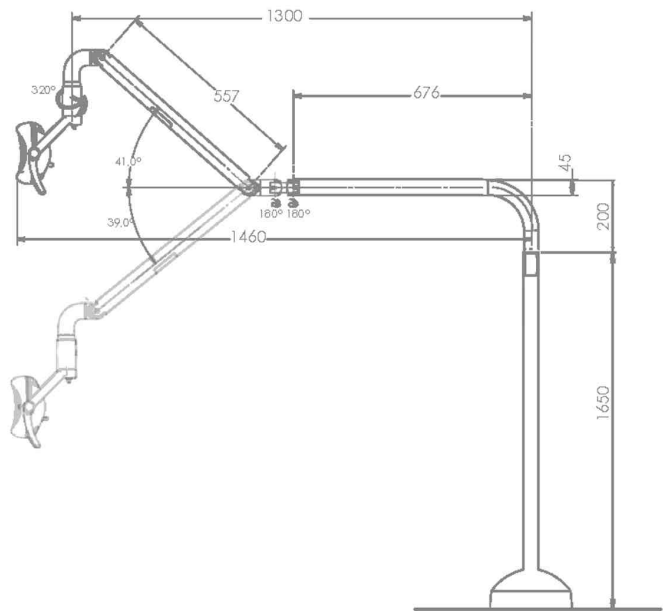
- Power supply: 10.5/12 V switch
- Light intensity: 15.000-30.000 lux
- Color temperature: 5.000 K
- Colour rendering index (CRI): > 90
- Bulb: tungsten halogen type H-star 12V 50W Low pressure
- Light pattern: 70x140 mm

The light has been positively tested and has a IMQ certification.  
Technical features have a tolerance of +/- 10%

■ Wall application



■ Floor application





**G.Comm S.r.l.**

Via Donizetti, 22

20872 Cornate d'Adda (MB) Italy

T +39 039 60 60 420

F +39 039 69 26 991

[info@gcomm-online.com](mailto:info@gcomm-online.com)

[www.gcomm-online.com](http://www.gcomm-online.com)

