

AUTOCLAVE SERIES SK07

NEW

VERSIONS 16 and 21

CLASS B CYCLES

Medical Device complies to the directive 93/42/CE
0051 FARO SPA Ornago (Italy)

24-MONTH-GUARANTEE



SK07 AUTOCLAVE VERSIONS 16 and 21
INTEGRATED PRINTER
the printing or data storage devices are housed inside the lower door.



SK07 AUTOCLAVE VERSIONS 16 and 21
COMPACT FLASH
Memory card type: Compact Flash
record the cycles by means of the specific SK07 Agent Compact Flash software supplied



SK07 AUTOCLAVE VERSIONS 16 and 21
EXTERNAL PRINTER
with a connection to an external printer which allows coupon printing with detailed information about each cycle.

TECHNICAL FEATURES

- Performs **B-type** cycles (121°C - 134°C - 134°C B-Flash - 134°C Prion) and test cycles: Bowie and Dick, Helix Test, Vacuum Test
- B Flash Cycle** while respecting the parameters required, can reduce the sterilization process time of the small loads (up to 0.5 kg - version 16 and up to 0.7 Kg - version 21)
- LCD Display** and user-friendly Control panel with 4 buttons to visualize instructions and information.
- Control of the physical cycle characteristics.**
- Integrated safety system** to monitor every phase of the sterilization cycle and to inform the user about any possible failure.
- Direct connection to the main water supply.**
- Quick coupling faucets** to load the water tank and drain the draining tank rapidly.
- Automatic load of the tank:** all the autoclaves contain an internal tank to automatically charge the water and a tank for the used water.
- Long autonomy:** 10-12 cycles (version 16) or 7-8 cycles (version 21) with a single load of distilled water in the integrated tank.
- Automatic loading** of the tank by integrated water pump
- Limited water consumption** thanks to the water injection pump in the chamber, which is managed by a software that avoids any waste.
- Low energy consumption:** extremely low electricity consumption thanks to a copper chamber which has a better conduction capacity (compared to the ones in steel) and thanks to a resistance which is splitted in 3 software-managed sectors in order to avoid the heating where not necessary.
- Automatic low-temperature Standby** to reduce the preheating time saving energy.
- Quick and easy porthole adjustment,** by a simple pression on the button on the door and turning the porthole.
- Maximum temperature uniformity:** the temperature and the pressure remain steady inside the sterilization chamber.
- "Last cycle" system:** automatic advanced last cycle system, for a perfect dry of the loads.



COMPARATIVE CHART OF SPECIFICATIONS AND DIMENSIONS

GENERAL SPECIFICATIONS	AUTOCLAVE SERIES SK07 - VERSION 16	AUTOCLAVE SERIES SK07 - VERSION 21
Main voltage	230V - 50/60 Hz	230V - 50/60 Hz
Max Power absorbed	7,5 A	9,8 A
Max Current absorbed	1725 W	2270 W
Average consumption per cycle (variable depending on the load and type of cycle)	980 W	1300 W

Medical Device complies to the directive 93/42/CE and s.m.i. - Medical devices - Applied standards: EN 13060 - Small steam sterilizers, EN 61326 Electrical equipment for measurement, control and laboratory, EMC requirements, EN 61010-1 - Safety requirements for electrical equipment for measurement, control and laboratory use General requirements, EN 61010-2-40 - Safety requirements for electrical equipment for measurement, particular requirements for sterilizers; 24-month-guarantee.

VOLUMES AND CONSUMPTIONS	AUTOCLAVE SERIES SK07 - VERSION 16	AUTOCLAVE SERIES SK07 - VERSION 21
Loading tank capacity	3,65 lt	3,65 lt
Autonomy cycles with a single load of distilled water in the integrated tank	10-12	7-8
Distilled water consumption per cycle	220÷300 ml	260÷330 ml

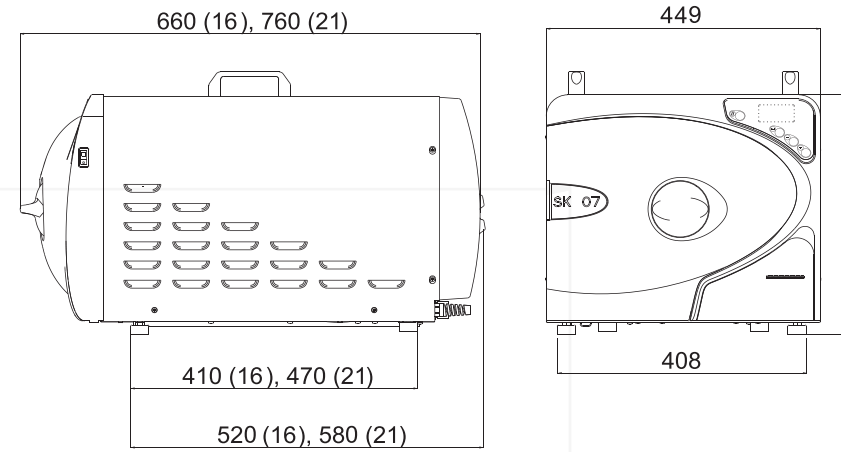
DIMENSIONS	AUTOCLAVE SERIES SK07 - VERSION 16	AUTOCLAVE SERIES SK07 - VERSION 21
Chamber diameter	240 mm	240 mm
Chamber length	360 mm	460 mm
Minimum overall dimension of the housing	690 x 450 x 489 mm	790 x 450 x 489 mm
Minimum depth of bench to place the autoclave	520 - 540 mm	580 - 600 mm
Tray dimensions	285 x 184 mm	382 x 184 mm

LOADS	AUTOCLAVE SERIES SK07 - VERSION 16	AUTOCLAVE SERIES SK07 - VERSION 21
Max solid Load (wrapped)	2,0 Kg	3,5 Kg
Max solid Load (unwrapped)	4,0 Kg	6,0 Kg
Max Load (porous)	1,3 Kg	1,8 Kg
Max solid Load for B FLASH fast cycle (wrapped)	0,5 Kg	0,7 Kg
Max Load for B FLASH fast cycle (porous)	0,2 Kg	0,3 Kg

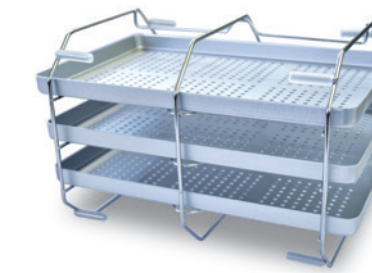
STERILIZATION CYCLES (times variable on the load introduced)	AUTOCLAVE SERIES SK07 - VERSION 16	AUTOCLAVE SERIES SK07 - VERSION 21
134°C - Standard cycle	From 38' to 43'	From 31' to 37'
134°C - Prion cycle	From 52' to 58'	From 45' to 47'
121°C - Standard cycle	From 53' to 56'	From 46' to 48'
134°C - B FLASH cycle	From 26'	From 23' to 25'

21 version Total cycle time is about 5-8 minutes less than 16, thanks to a new vacuum pump and the sterilization process optimization.

EQUIPMENT	AUTOCLAVE SERIES SK07 - VERSION 16	AUTOCLAVE SERIES SK07 - VERSION 21
Standard equipment	1 tray holder + 3 tray	1 tray holder + 3 tray
Possibility to introduce surgical cassettes in the tray holder (rotating the support of 90°)	√	√



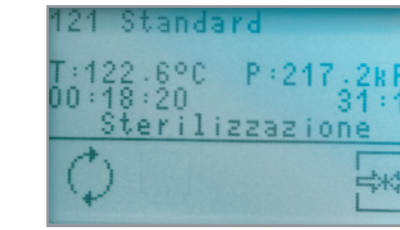
CONTROL PANEL
A control panel containing 4 buttons allows to easily program any kind of operation selecting the test, cycles and additional options. Icons indicate the status of the different components. A graphic interface that can be displayed on a PC, is supplied to control the physical characteristics of the cycles completed and to signal any possible irregularity.



MULTI-LEVEL TRAY HOLDER
A complete support of three trays to house the materials to be sterilized.



QUICK CONNECTION FITTINGS
To rapidly fill the internal tank with water and empty the used water.



LCD DISPLAY
The LCD display visualizes the instructions and information related to the process, safety and maintenance.

Demineralizer
When there is a direct connection to the water supply, the demineralizer solves the problem of limescale in the water inlet, to preserve the efficiency of the autoclave and to ensure its functionality.



Diagnostic software SK07 AGENT
With this software the technical assistance can have access, in a reserved section, to a historical archive of cycles, and can activate devices for monitoring and rapid fault diagnosis.



ACCESSORIES	CODE
Software for SK07, diagnostic software for technical assistance	742619
CD software for compact flash	742862
Memory Card 1 Gb	742863
Tray (16 lt)	711029
Tray holder (16) for 3 trays	742112
Tray holder (16) for 3 or 5 trays	742885
Tray (21)	745022
Tray holder (21) for 3 trays	745021
Water demineralization machine (with cartridge)	742690
External printer	742200



BEHIND THE TECHNOLOGY

The core of FARO equipment is packed with state of the art Italian technology, at the base of which is the constant and daily commitment of many people working to shape excellent products, designed on the real ergonomic needs of the doctor and patient.